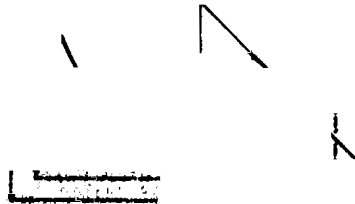
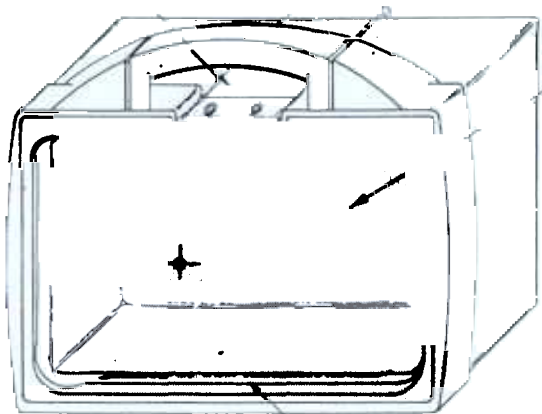


PLACE TOGETHER BOX AND LID Moulding AND FIT INTO WOODEN HOLDING BOX
 FIT JIG NO ROB003/2 AND DRILL 8 OFF 70mm DIA HOLES AND SCREW IN 5mm SELF TAPPING INSERTS

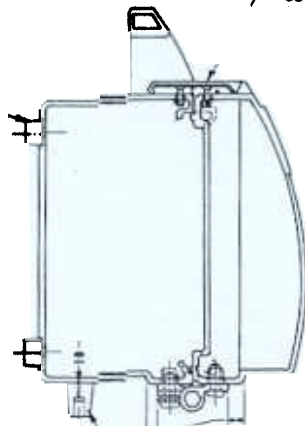


USING JIG NO ROB003/A DRILL 2 OFF 8-0mm DIA HOLES AND SCREW IN 4mm SELF TAPPING INSERTS

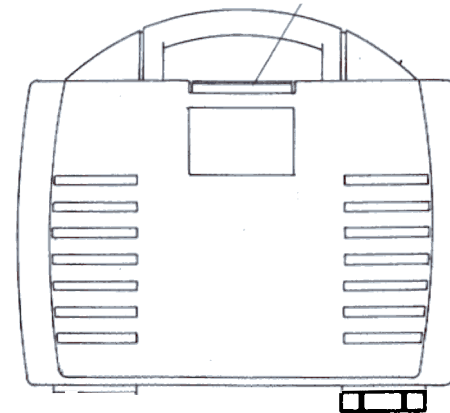


CUT OUT BY HAND TO KNIFELINE

ASSEMBLE LATCH AND KEEPER WITH M4 JAPAN BLACK FINISH COUNTERSUNK HEAD SCREWS



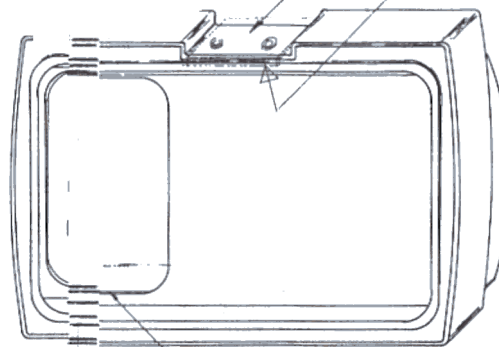
1 OFF SOUTHCO LATCH AND KEEPER PLATE PART NO 07-11-301-12



2 OFF SOUTHCO ADJUSTABLE HINGES PART NO EG-10-801-20 TO BE FITTED WITH M6 JAPAN BLACK FINISH PAN HEAD SCREWS

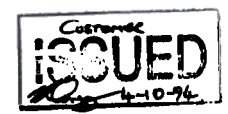
USING JIG NO ROB003/B DRILL 2 OFF 8-0mm

TAPPING INSERTS
 NOTE:- DRILL THROUGH ONE SKIN ONLY, DO NOT BREAK THROUGH THIS SIDE



CUT OUT BY HAND TO KNIFELINE

DESCRIPTION	QTY	CODE
SMARTPAT LID	1	ROB002
SMARTPAT BOX	1	ROB003
SOUTHCO BLACK PLASTIC HINGES	2	MFA-0500
SOUTHCO PL'K PLASTIC LATCH & KEEP	1	MFA-0801
5mm SELF TAPPING INSERTS	8	FIN-0160
4mm SELF TAPPING INSERTS	4	FIN-0450
M5 x 15mm LONG JAPAN BLACK FINISH PAN HEAD SCREW	8	FSC-0450
M4 x 16mm LONG JAPAN BLACK FINISH COUNTERSUNK HEAD SCREW	4	FSC-0451
M6 L0PE BLACK FEET	2	PLA-0201
M3 x 20mm B2P CHEESE HEAD SCREW	2	FSC-0202
M3 B2P NUTS	2	FNU-0202
M3 B2P SHAKEPROOF WASHERS	1	BMI-0050
M3 B2P SHAKEPROOF WASHERS	2	FWR-0202

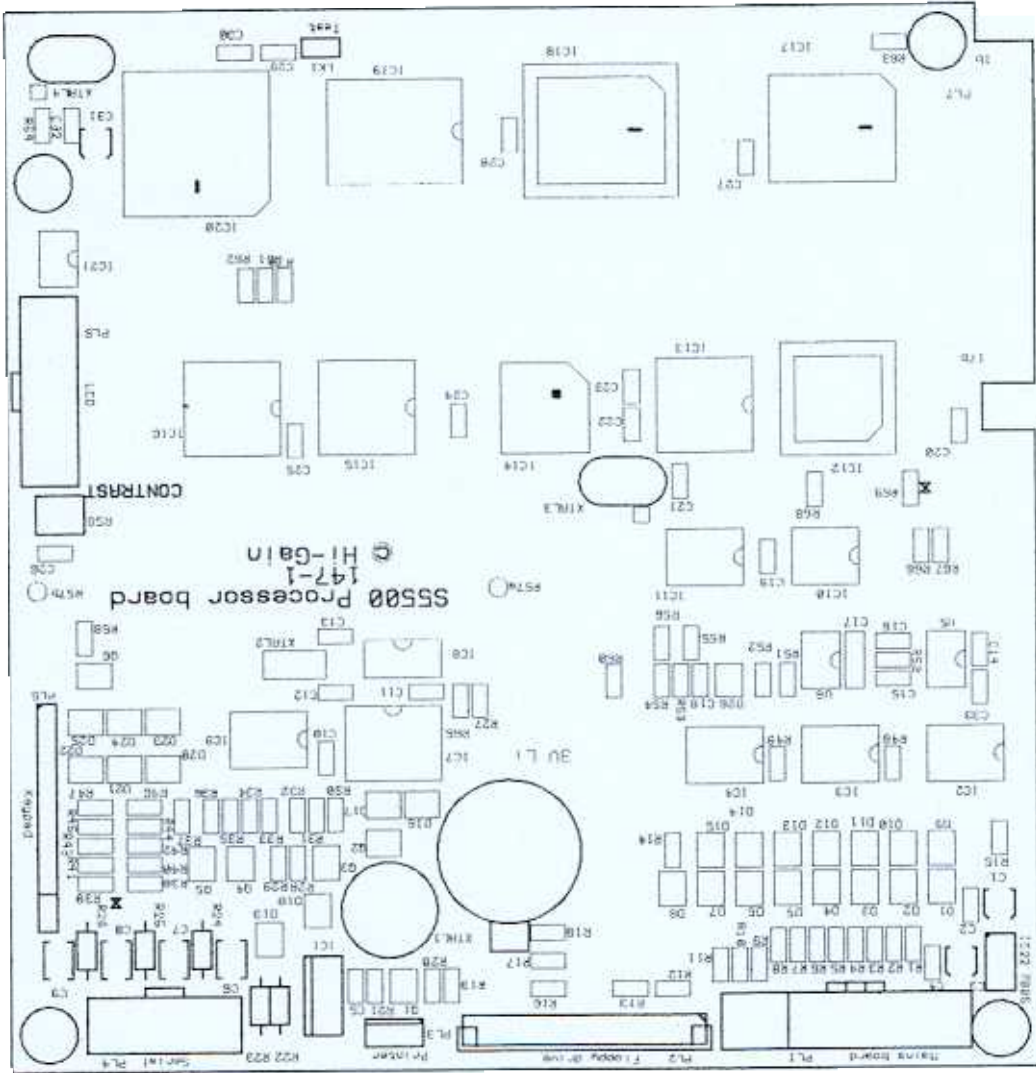


TITLE	FINISHING DRAWING FOR ROBIN ELECTRONICS	A 3-7-74
	SMARTPAT BOX	B 16-7-74
		C 17-8-74

DESIGNED BY	N DAVEY	SCALE	1:2	DRAWING No.	C-1713-2	REVISION	D
DATE	22-6-74	APPROVED					

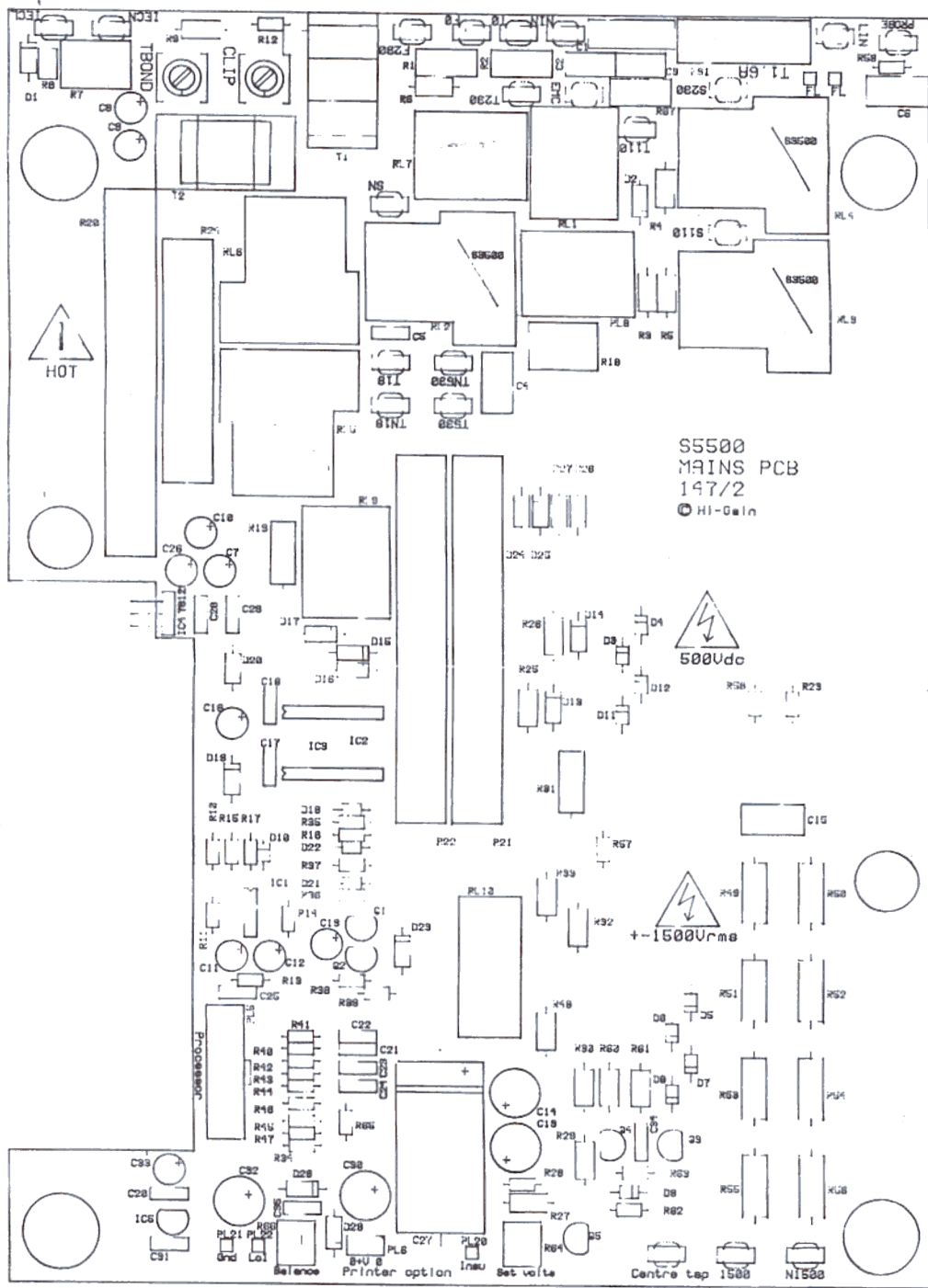
COMPONENT SIDE SILKSCREEN

Org 197/1 Issue B



HI-Gain 01672 061477





COMPONENT SIDE SILKSCREEN Drg. 147-2 Iss. B

Hi-Gain 01672 86147

S5500/5500 - MAINS BOARD
Robin Electronics Ltd.

All BOM levels shown

Partnumber / Structure	Item Description	Quantity Used	Unit Meas	Line No	Comment	Phantom ?
OTC-S5502 - S5500 PROCESSOR BOARD						
<i>Issue 4 updated on 08/08/01 by JR this is not a phantom assembly</i>						
<i>Labour cost £0.00 overhead cost £0.00 rolled up cost £29.3912</i>						
1. OTC-222-0015	✓ 0R0 0.125W 1% 0805 SMT R66	1	EACH	1		No
1. OTC-0016	✓ 47R SMD 0805 5% R15,56	2	EACH	11		No
1. OTC-222-0004	✓ 220R SMD 0805 1% R58	1	EACH	21		No
1. OTC-0230	✓ 1K0 SMD 0805 1% R1-8,21,39,41,43,45,47,51,60,63,64,55	19	EACH	31		No
1. OTC-220-0004	✓ 4K7 SMD 0805 5% R54	1	EACH	41		No
1. OTC-222-0009	✓ 10K SMD 0805 1% R12,13,16-20,28,31,33,36,37,40,42,44,46,50,53,61,62,70	21	EACH	51		No
1. OTC-220-0010	✓ 100K SMD 0805 5% R14,27,29,30,32,34,35,65	8	EACH	61		No
1. OTC-0024	✓ 330K SMD 0805 5% R48,52	2	EACH	71		No
1. OTC-0246	✓ 10K SM Trimmer 0.1W R59	1	EACH	81		No
1. OTC-0247	✓ 4R7 1/4W 5% PIH R22,23	2	EACH	91		No
1. OTC-100-0004	✓ 1K 1/4W 5% PIH R25	1	EACH	101		No
1. OTC-100-0005	✓ 10K 1/4W 5% PIH R24,26	2	EACH	111		No
1. OTC-0248	✓ 100K SM 0805 Thermistor R49	1	EACH	121		No
1. OTC-0249	✓ 15R Power resistor cement R57	1	EACH	131	FIT ON UNDERSIDE	No
1. OTC-400-0003	✓ 22pF SMD 0805 10% 50V C22,23,29,30	4	EACH	141		No
1. OTC-400-0001	✓ 1nF SMD 0805 10% 50V C14,33	2	EACH	151		No
1. OTC-0250	✓ 1nF Cap. ceramic disc C6-9	4	EACH	161		No
1. OTC-0251	✓ 100nF Cap. Poly. rad. 5mm C17	1	EACH	171		No
1. OTC-0252	✓ 0.1uF Y5V SM Cap. 0805 C2,4,5,10,11,15,16,18-21,24-28,32	17	EACH	181		No
1. OTC-0253	✓ 10uF 16V SM Cap. Tantalum C1,3,31	3	EACH	191		No
1. OTC-600-0004	✓ BAS16 SMD SOT23 D1-18,20-25	24	EACH	201		No
1. OTC-0254	✓ BZX84C6V2 SM SOT23 D19	1	EACH	211		No
1. OTC-0255	✓ LM404DIM3-50 SOT23 SM D26	1	EACH	221		No
1. OTC-0256	✓ BC858B SOT23 SM Q2,3,4,	3	EACH	231		No

All BOM levels shown

Partnumber / Structure	Item Description	Quantity Used	Unit Meas	Line No	Comment	Phantom ?
1. OTC-0257	✓ BC818 SOT23 SM Q1,5,6,	3	EACH	241	* National ONLY *	No
1. OTC-0258	✓ S80C31-12 SM PLCC IC20	1	EACH	251		No
1. OTC-0259	✓ FDC37C78 SM 48TQFP IC14	1	EACH	261		No
1. OTC-0260	✓ PALCE16V8-25JC SM GAL 55n IC12	1	EACH	271	PROGRAMME TO V1.0	No
1. OTC-0261	✓ AM29F010-120JC SM Flash IC17	1	EACH	281	Prog to V1.03 during test	No
1. OTC-0262	✓ HM6264BLFP15L SM Ram IC19	1	EACH	291		No
1. OTC-0109	✓ LM7805 Volt. Reg. IC122	2	EACH	301	IC22 FIT ON FINAL ASSY	No
1. OTC-0263	✓ MAX699CWE SM IC7	1	EACH	311		No
1. OTC-0264	✓ ST93C46AM1 SM 1kbit EEPROM IC21	1	EACH	321		No
1. OTC-0265	✓ DS1202S8 SM Real time clk IC8	1	EACH	331		No
1. OTC-0266	✓ MM74HC373 SM I.C. IC13	1	EACH	341		No
1. OTC-0267	✓ MM74HC273 SM I.C. IC15	1	EACH	351		No
1. OTC-0268	✓ MM74HC244 SM I.C. IC16	1	EACH	361		No
1. OTC-0269	✓ MM74HC00M SM I.C. IC10	1	EACH	371		No
1. OTC-0270	✓ MM74HC139 SM I.C. IC11	1	EACH	381		No
1. OTC-0271	✓ CD4051BCM SM I.C. IC2,3,4,	3	EACH	391		No
1. OTC-0272	✓ CD4053BCM SM I.C. IC9	1	EACH	401		No
1. OTC-0273	✓ TL081CD SM Op-amp IC6	1	EACH	411		No
1. OTC-0274	✓ LM393M SM I.C. IC5	1	EACH	421		No
1. OTC-0275	✓ Electromagnetic buzzer XTAL1	1	EACH	431		No
1. OTC-0276	✓ 32.768kHz 6pF Crystal XTAL2	1	EACH	441		No
1. OTC-0277	✓ 24MHz 30pf crystal XTAL3	1	EACH	451		No
1. OTC-0278	✓ 11.0592MHz 30pF crystal XTAL4	1	EACH	461		No
1. OTC-0279	✓ Battery 16mm Li coin cell BR1	1	EACH	471		No
1. OTC-0280	✓ 26way 1mm FFC Connector PL2	1	EACH	481		No
1. OTC-0281	✓ 10way RH pin strip PL5	1	EACH	491		No

All BOM levels shown

Partnumber / Structure	Item Description	Quantity Used	Unit Meas	Line No	Comment	Phantom ?
1. OTC-0282	✓ 10pin PCB Header 5x2 PL4	1	EACH	501		No
1. OTC-0283	✓ 14pin PCB Header 7x2 PL6	1	EACH	511		No
1. OTC-0284	✓ 16pin PCB Header 8x2 PL1	1	EACH	521		No
1. OTC-0285	✓ 16mm Li coin cell holder FOR BR1	1	EACH	531		No
1. OTC-0443	✓ PROCESSOR SHIELD	2	EACH	535		No
1. OTC-PCB-0009	✓ PROCESSOR PCB BLANK PCB	1	EACH	541		No

End Of Report