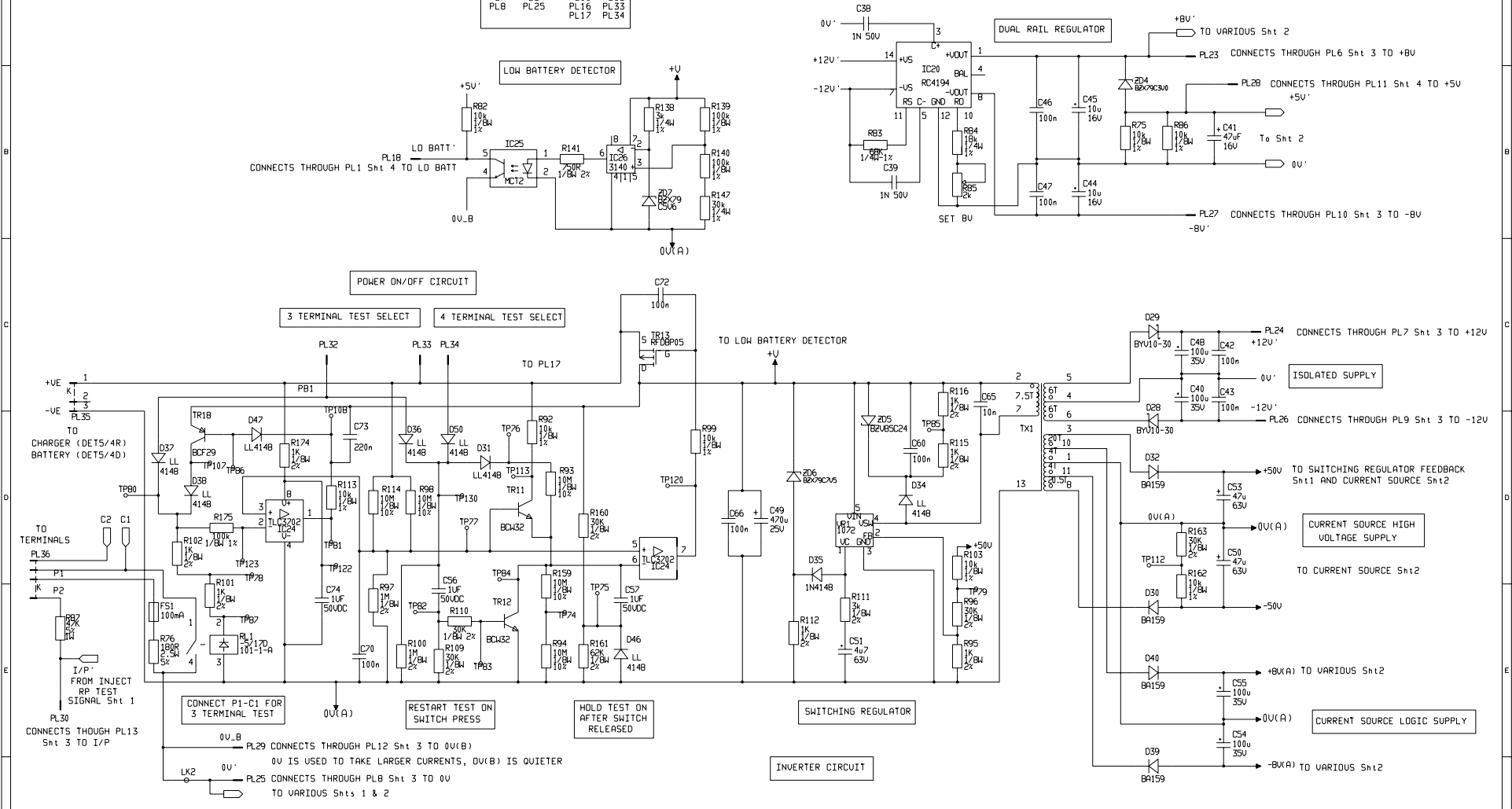


MAIN PCB

P.C. BOARD CONNECTIONS

DISP	MAIN	DISP	MAIN
PL1	PL18	PL9	PL26
PL2	PL19	PL10	PL27
PL3	PL20	PL11	PL28
PL4	PL21	PL12	PL29
PL5	PL22	PL13	PL30
PL6	PL23	PL14	PL31
PL7	PL24	PL15	PL32
PL8	PL25	PL16	PL33
		PL17	PL34



COMPONENT VARIATIONS

DET 5/4R	DET 5/4D & DET 6/2D	DET 6/2D
AS DIAGRAM	ZD7 B2X79C3V3	CUT LK3
	R147 100K-1%-25W	
	D55 NOT FITTED	
	R13B 1K-1%-25W	

THE COPYRIGHT IN THIS DRAWING IS OWNED BY AVO INTERNATIONAL LTD. THIS DRAWING MUST NOT BE COPIED OR REPRODUCED, EITHER IN WHOLE OR IN PART, WITHOUT THE PRIOR WRITTEN CONSENT OF THE COPYRIGHT OWNER.

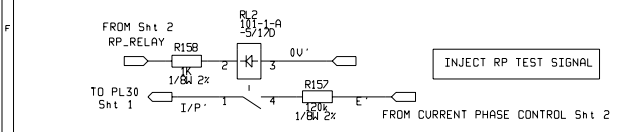
IF MULTIPLE SHEET DRAWING, ALL SHEETS MUST BE AT THE SAME ISSUE

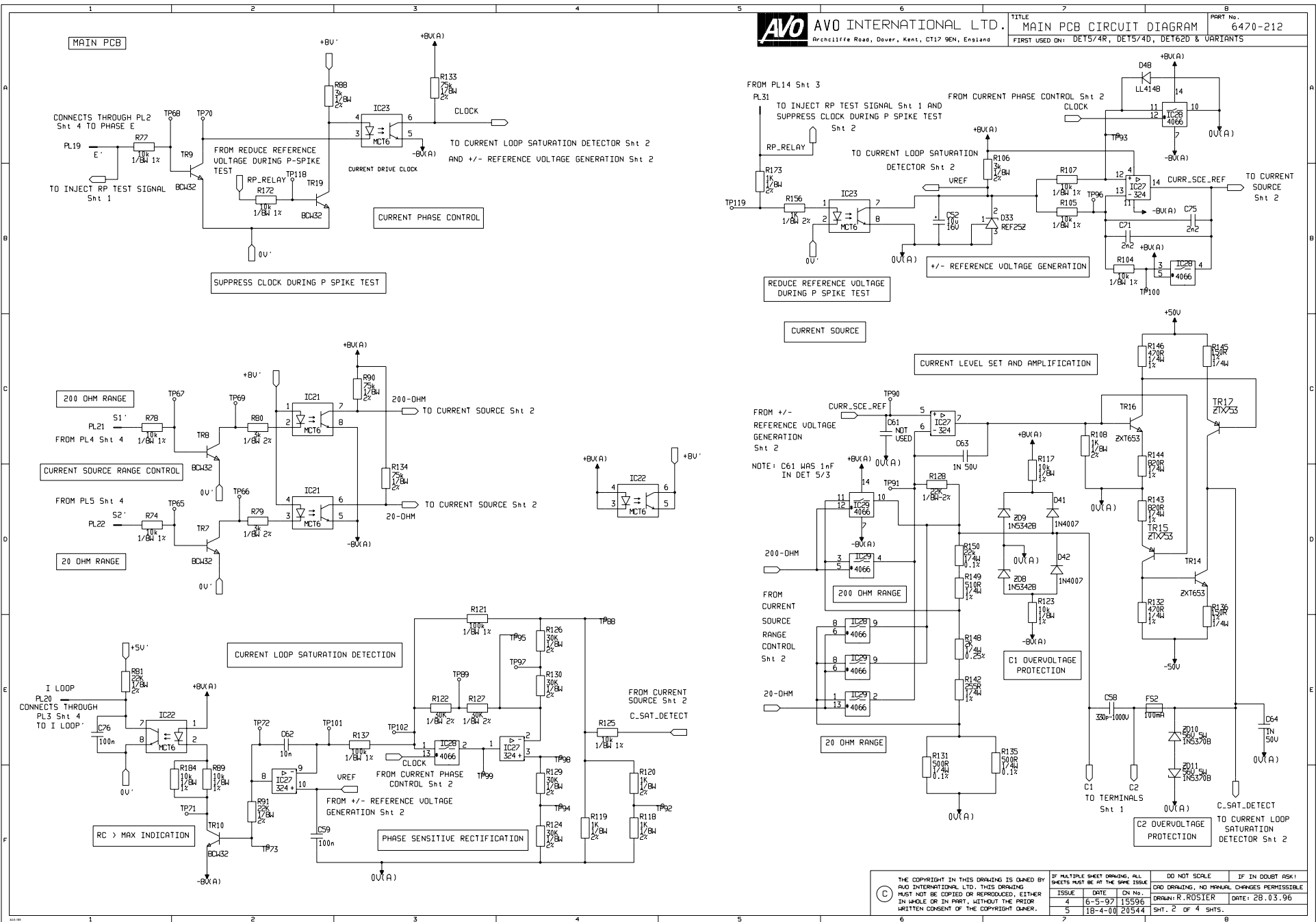
DO NOT SCALE IF IN DOUBT ASK!

CAD DRAWING, NO MANUAL CHANGES PERMISSIBLE

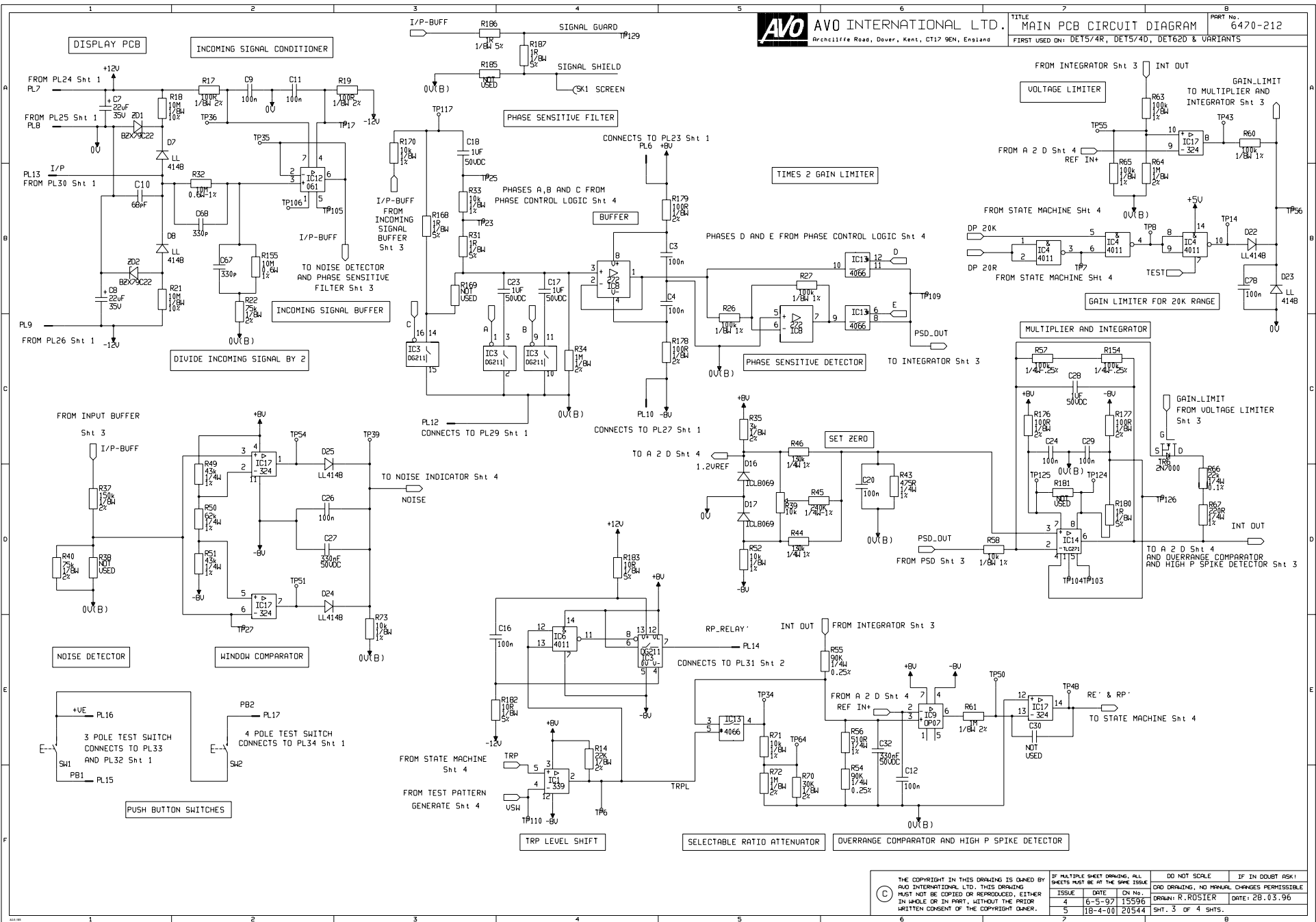
ISSUE	DATE	ON No.	DRAWN: R. ROSIER	DATE: 28.03.96
4	6-5-97	155596		
5	18-4-00	20544		

SHT. 1 OF 4 SHTS.

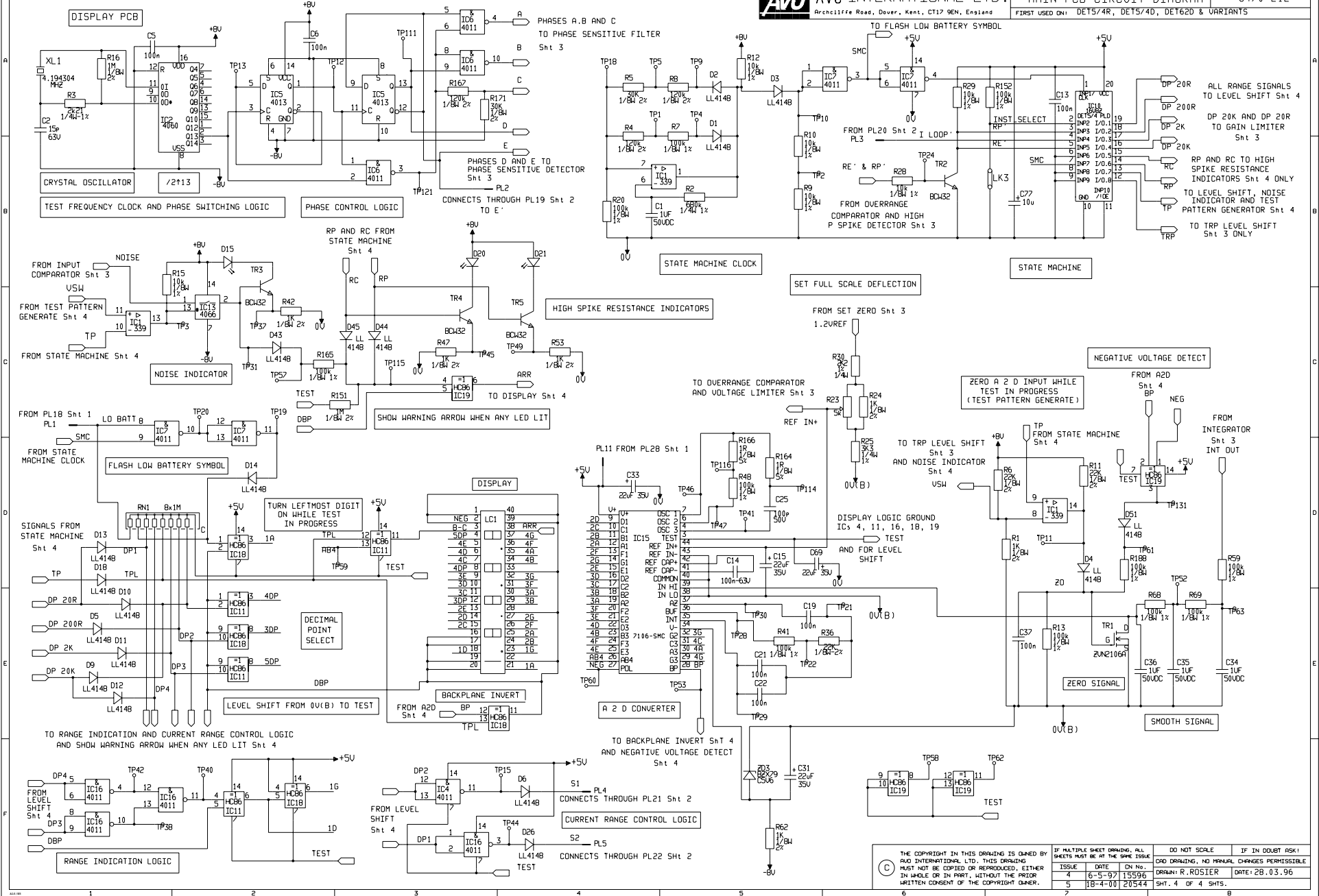




	THE COPYRIGHT IN THIS DRAWING IS OWNED BY AVO INTERNATIONAL LTD. THIS DRAWING MUST NOT BE COPIED OR REPRODUCED, EITHER IN WHOLE OR IN PART, WITHOUT THE PRIOR WRITTEN CONSENT OF THE COPYRIGHT OWNER.			IF MULTIPLE SHEET DRAWING, ALL SHEETS MUST BE AT THE SAME ISSUE.			DO NOT SCALE			IF IN DOUBT ASK!		
	ISSUE	DATE	ON No.	ISSUE	DATE	ON No.	ISSUE	DATE	ON No.	ISSUE	DATE	ON No.
	4	6-5-97	15596	4	6-5-97	15596	4	6-5-97	15596	4	6-5-97	15596
	5	18-4-00	20544	5	18-4-00	20544	5	18-4-00	20544	5	18-4-00	20544
	DRAWN: R. ROSIER			DATE: 28.03.96			SHT. 2 OF 4 SHTS.					



(C)	THE COPYRIGHT IN THIS DRAWING IS OWNED BY AVO INTERNATIONAL LTD. THIS DRAWING MUST NOT BE COPIED OR REPRODUCED, EITHER IN WHOLE OR IN PART, WITHOUT THE PRIOR WRITTEN CONSENT OF THE COPYRIGHT OWNER.			IF MULTIPLE SHEET DRAWING, ALL SHEETS MUST BE AT THE SAME ISSUE			DO NOT SCALE IF IN DOUBT ASK!		
	ISSUE	DATE	ON NO.	DAD DRAWING, NO MANUAL CHANGES PERMISSIBLE					
	4	6-5-97	13596	DRAWN: R. ROSIER DATE: 28.03.96					
	5	18-4-00	20544	SHT. 3 OF 4 SHTS.					



THE COPYRIGHT IN THIS DRAWING IS OWNED BY AVO INTERNATIONAL LTD. THIS DRAWING MUST NOT BE COPIED OR REPRODUCED, EITHER IN WHOLE OR IN PART, WITHOUT THE PRIOR WRITTEN CONSENT OF THE COPYRIGHT OWNER.

ISSUE	DATE	ON NO.	DO NOT SCALE	IF IN DOUBT ASK!
4	6-5-97	135596	NO	NO
5	18-4-00	20544	NO	NO

DATE: 28.03.96
 DRAWN: R. ROSIER
 SHEET 4 OF 4 SHEETS