

**True RMS AC/DC Clamp-on Ammeter for Professional Use****Accurate, Rugged, Versatile  
and Reliable**

- 2,000A
- AC and DC Amps
- Large jaw capacity takes 50mm  $\varnothing$  or 2 x 30mm  $\varnothing$  cables
- Analysis of AC and DC current components
- Autoranging and Auto-zeroing
- Excellent accuracy, even for distorted or non-sinusoidal A
- Display-Hold and Max-Hold (surge) modes for convenience in use
- Conformance to IEC1010 and EMC standards

**High Accuracy**

Advanced jaw design means that 15-series accuracy is little affected by external magnetic fields or off-centre conductor positioning. Utilisation of Hall effect technology ensures a broad flat frequency response resulting in optimum accuracy even when harmonics are present.

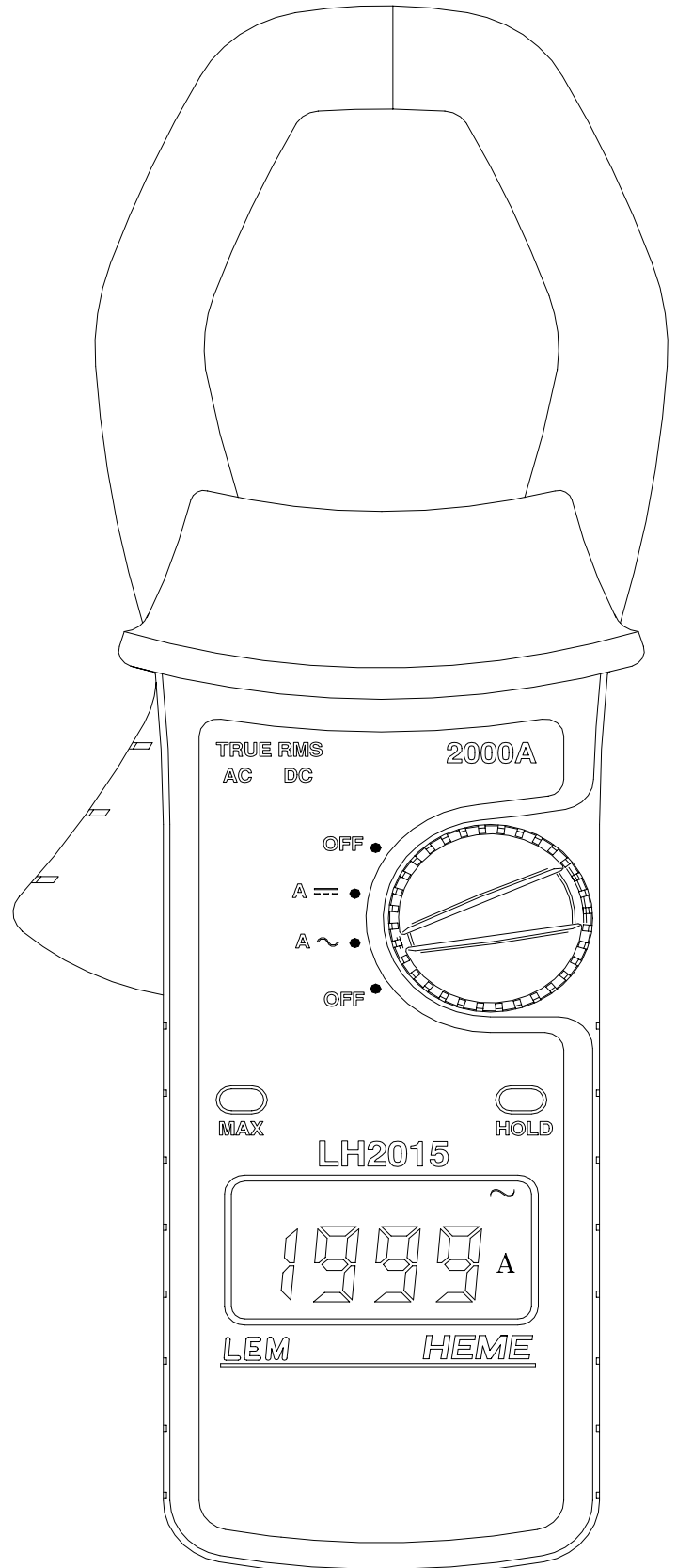
**True RMS measurement**

By using True RMS measurement techniques the 15-series instruments avoid errors (up to 50%) which can occur when non-sinusoidal waveforms created by today's complex loads are measured using traditional average-reading techniques.

**IEC 1010 and EMC Conformance**

IEC 1010 safety features including a tactile barrier and special jaw design provide the user with confidence when making measurements in hazardous voltage areas.

Conformance to EMC standards ensures high reliability through reduced susceptibility to electromagnetic interference.



# SPECIFICATIONS

NON-INVASIVE CURRENT MEASUREMENT	
Ranges (auto-ranging)	400A, 2,000A
Measurement methods	AC True RMS, or DC only
Resolution	100mA (400A range) 1A (2,000A range)
Accuracy	± 1.3% of reading ± 3 digits > 10A (1)
Crest Factor	6 maximum for True RMS measurements
Maximum measurable load	2,000A DC or AC peak
Maximum overload	10,000 Amps

## FREQUENCY RESPONSE

AC only True RMS A	15Hz - 1kHz (2, 3)
DC A	DC only

## DISPLAY

Size and type	4000-count LCD 12mm / 0.5-inch characters
Status indication	Low Battery, Data Hold, Pk (MAX Hold), AC, DC
Refresh rate	3 times per second

## POWER SUPPLY

Battery type	9v Alkaline: MN1604, PP3 IEC 6LR61 or equivalent
Battery life	Typically 40 hours

## MECHANICAL DATA

Dimensions (H x W x D)	251 x 98 x 52mm 9.88 x 3.86 x 2.05 inches
Weight	500 gm / 1.1 lbs
Jaw Capacity	1 x 50mm / 2.0-inch Ø cable or 2 x 30mm / 1.2-inch Ø cables

## ENVIRONMENTAL DATA

Operating Temperature	0°C to 50°C (32°F to 122°F)
Temperature Coefficient	± 0.1% of reading per °C ± 0.06% of reading per °F
Storage Temperature	-20°C to 60°C (-4°F to 140°F)

## SAFETY

All models comply with IEC1010-1, 600V working, Installation category III, Pollution degree 2.

## MAXIMUM SAFE VOLTAGES

Current measurement (bare conductors)	600V AC RMS or DC between uninsulated conductor & ground
---------------------------------------	---

## Notes:

1. All accuracies stated at 23°C ± 1°C (73.4°F ± 1.8°F)
2. At stated accuracy; extend to 5kHz for -3dB.
3. True RMS measurements taken over 100 ms

## LEM

The LEM group offer a wide range of non-invasive transducers, probes and instrumentation for the measurement and analysis of current, voltage and power. Since the introduction of the world's first digital AC/DC clamp-on ammeter in 1982, LEM HEME has continued to provide innovative test and measurement solutions encompassing current measurement from 5mA to 2,000A.

Distributor



**LEM HEME Limited**, 1 Penketh Place, West Pimbo, Skelmersdale, Lancs, United Kingdom. WN8 9QX

Telephone 01695 720535; Fax 01695 50279

Telex 629792 HEME G

International: Tel +44 1695 720535; Fax +44 1695 50279

LEM Subsidiaries: China, France, Germany, Japan, Russia, Sweden, Switzerland, USA

LEM HEME Limited have a policy of continual product improvement, and the company reserves the right to revise the above specifications without notice.