

R4 - NOT FITTED	TR1 - NOT FITTED
RR - NOT FITTED	TR3 - NOT FITTED
R11 - NOT FITTED	
R12 - NOT FITTED	D5 - NOT FITTED
R13 - NOT FITTED	D6 - NOT FITTED
R14 - NOT FITTED	D7 - NOT FITTED
R19 - NOT FITTED	D8 - NOT FITTED
R97 - NOT FITTED	
	C12 - NOT FITTED
	C47 - NOT FITTED
R164 - NOT FITTED	C55 - NOT FITTED
R165 - NOT FITTED	
R178 - NOT FITTED	
	ON 808RA
	C55 - FITTED
	C21 - NOT FITTED

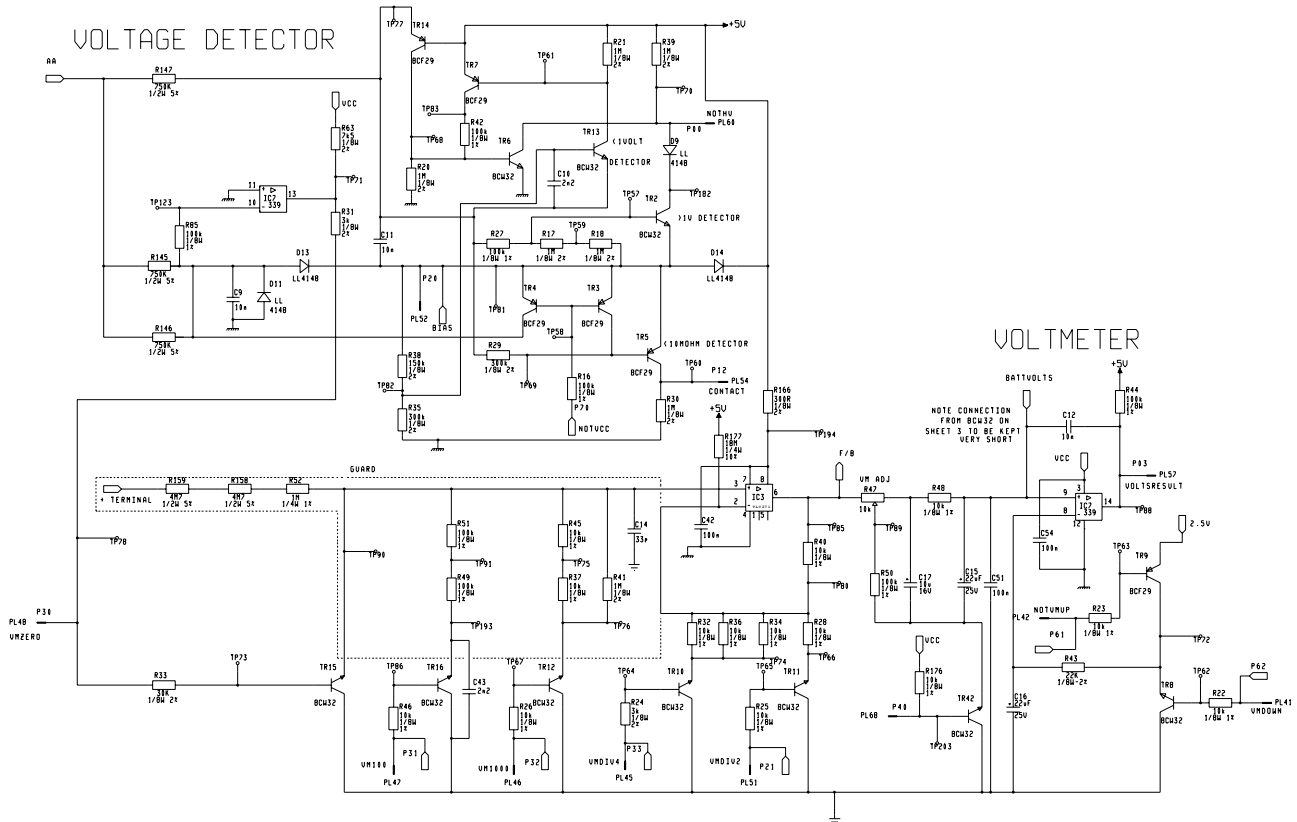
P.C.B. Part No. 5449-242

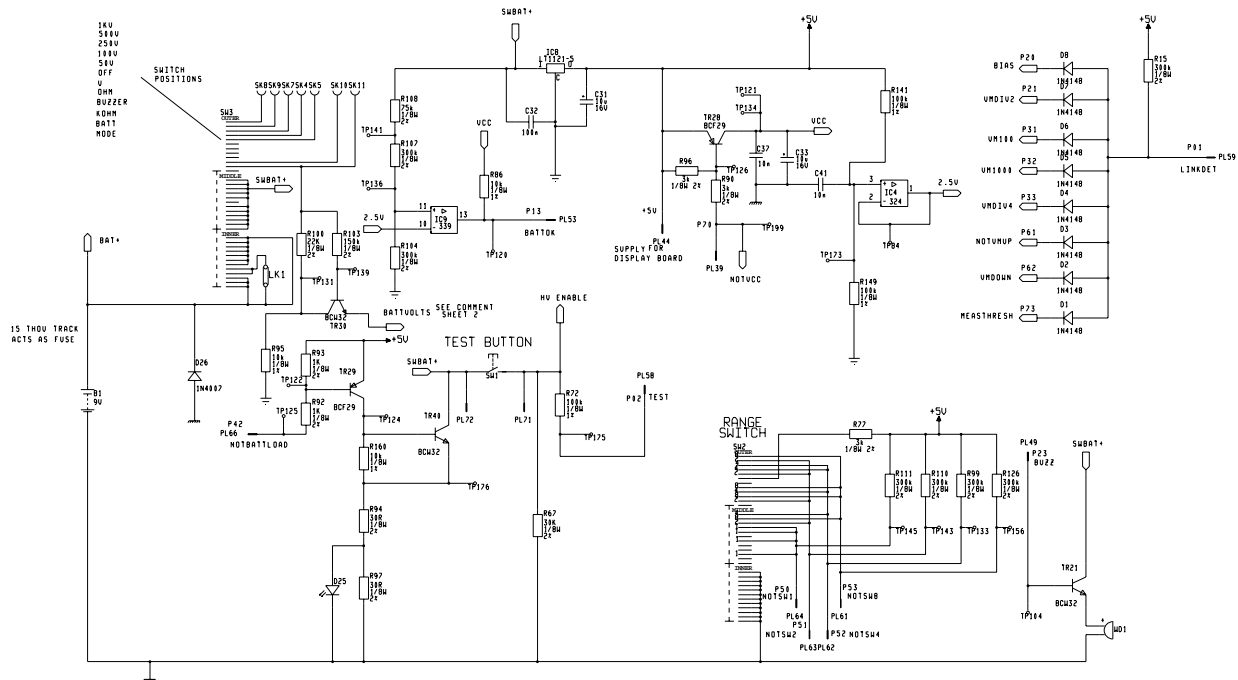
THE COPYRIGHT IN THIS DRAWING IS OWNED BY METRIG INSTRUMENTS LTD. THIS DRAWING MUST NOT BE COPIED OR REPRODUCED, EITHER IN WHOLE OR IN PART, WITHOUT THE EXPRESS WRITTEN CONSENT OF THE COPYRIGHT OWNER.

IF MULTIPLE SHEET DRAWING, ALL SHEETS MUST BE OF THE SAME SIZE  
DO NOT SCALE  
IF IN DOUBT ASK!

DATE: 5/10/81  
DWG. NO: 21143  
REV: 1 OF 5 SHEETS

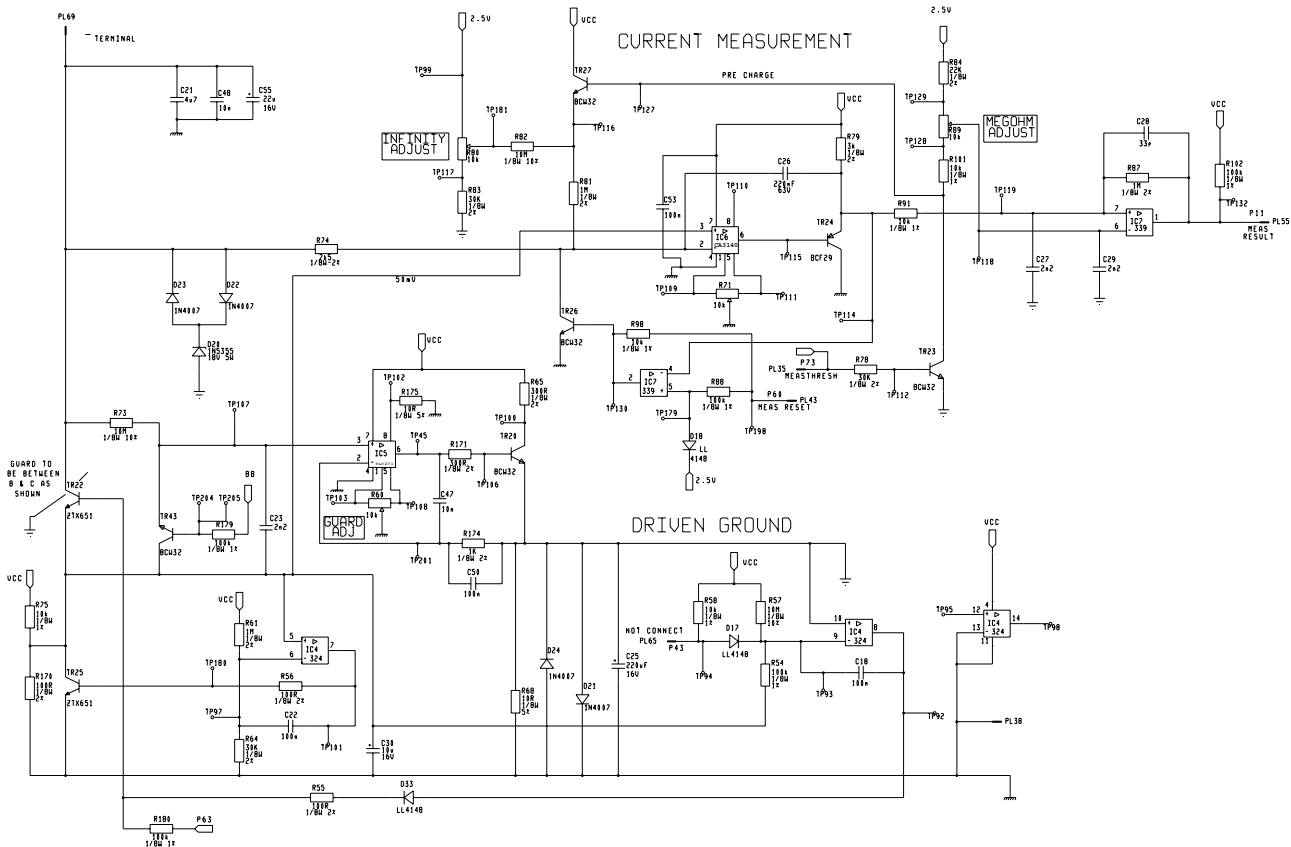
CAD DRAWING, NO MANUAL CHANGE PERMITTED  
DRAWN: JEB  
CHKD: 14.5.78  
DATE: 6/27/82 21478





	THE CONTENTS IN THIS DRAWING IS OWNED BY AVO MEGGER INSTRUMENTS LTD. THIS DRAWING MUST NOT BE COPIED OR REPRODUCED, EITHER IN WHOLE OR IN PART, WITHOUT THE WRITTEN CONSENT OF THE COMPANY.		IF MULTIPLE SHEET DRAWING, ALL SHEETS MUST BE OF THE SAME SIZE AND DRAWING. NO MANUAL CHANGES PERMITTED.		DO NOT SCALE IF IN DOUBT ASK!	
	EDDIE	DATE	CN NO.	DRAWN	CHECKED	DATE
	5	18/10/81	21143	6	12/10/82	21079

INT. 3 OF 5 SHEETS.



	THE COPYRIGHT IN THIS DRAWING IS OWNED BY AVO MEGGER INSTRUMENTS LTD. THIS DRAWING MUST NOT BE COPIED OR REPRODUCED, EITHER IN WHOLE OR IN PART, WITHOUT THE PREVIOUS WRITTEN CONSENT OF THE COPYRIGHT OWNER.		IF MULTIPLE SHIP DRAWING, ALL SHIP DRAWING MUST BE OF THE SAME ISSUE	DO NOT SCALE	IF IN DOUBT ASK!
	DATE	DRAWN	CHECKED	CAD DRAWING, NO MANUAL CHANGES PERMISSIBLE	ISSUE
	5	08/08/81	21143	ISSUE 14'S-146	DATE
	6	22/8/82	21479	INT. 4 OF 5 SHEETS	

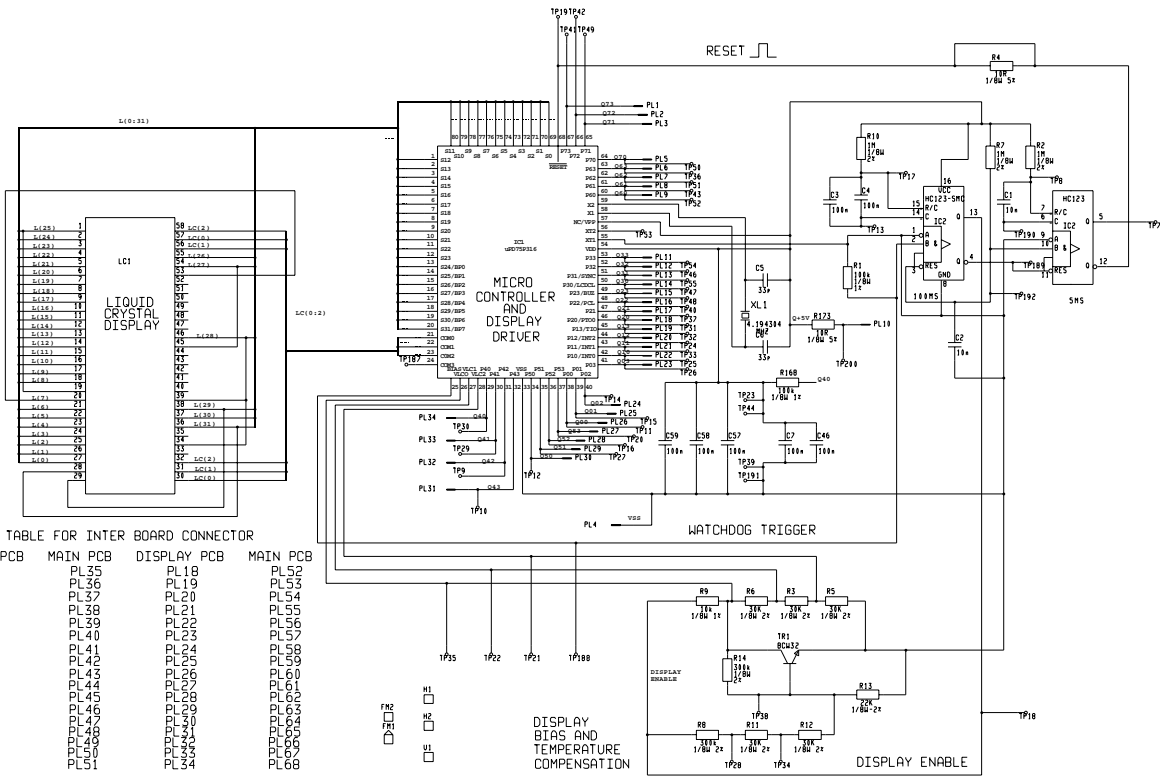


TABLE FOR INTER BOARD CONNECTION

DISPLAY PCB	MAIN PCB	DISPLAY PCB	MAIN PCB
PL1	PL35	PL18	PL52
PL2	PL36	PL19	PL53
PL3	PL37	PL20	PL54
PL4	PL38	PL21	PL55
PL5	PL39	PL22	PL56
PL6	PL40	PL23	PL57
PL7	PL41	PL24	PL58
PL8	PL42	PL25	PL59
PL9	PL43	PL26	PL60
PL10	PL44	PL27	PL61
PL11	PL45	PL28	PL62
PL12	PL46	PL29	PL63
PL13	PL47	PL30	PL64
PL14	PL48	PL31	PL65
PL15	PL49	PL32	PL66
PL16	PL50	PL33	PL67
PL17	PL51	PL34	PL68

THE COPYRIGHT IN THIS DRAWING IS OWNED BY AVO METRAC INSTRUMENTS LTD. THIS DRAWING MUST NOT BE COPIED OR REPRODUCED, EITHER IN WHOLE OR IN PART, WITHOUT THE EXPRESS WRITTEN CONSENT OF THE COPYRIGHT OWNER.

IF MULTIPLE SHEET DRAWING, ALL SHEETS MUST BE OF THE SAME SCALE.  
 DO NOT SCALE  
 IF IN DOUBT ASK!

CAD DRAWING, NO MANUAL CHANGES PERMITTED!  
 DRAWN: MPT  
 CHECKED: MPT  
 DATE: 14-5-96  
 5 18/09/31 21143  
 6 373-3-12 21598  
 INT. 5 OF 5 SHEETS