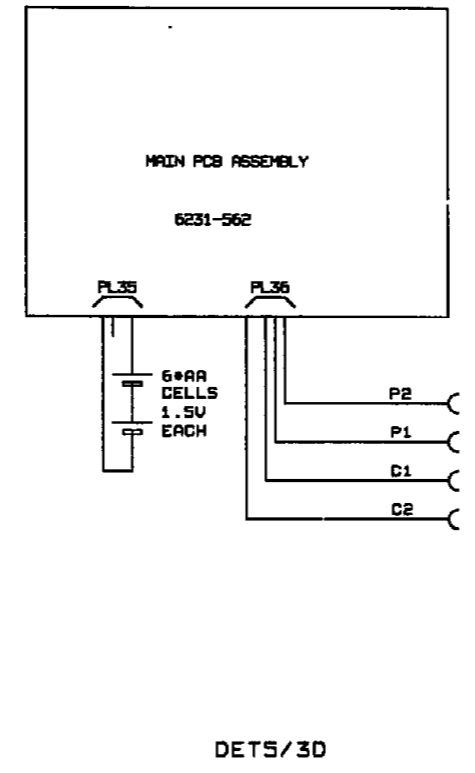
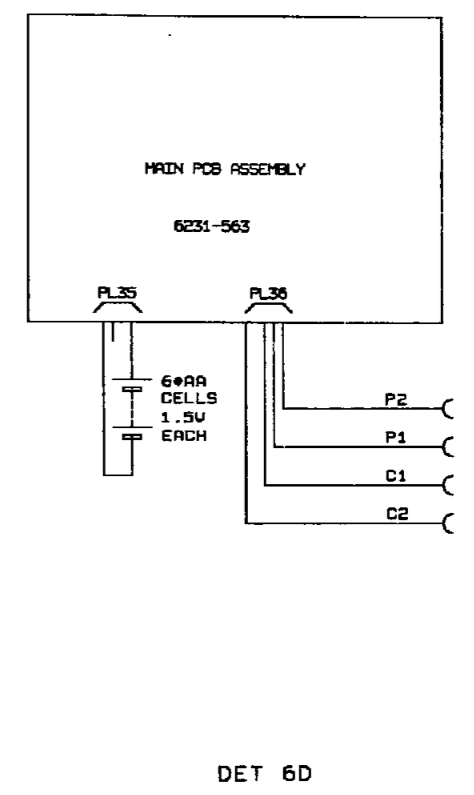


DETS/3R



DETS/3D



DET 6D

MAIN SCHEMATIC DIAGRAMS

(C)	THE COPYRIGHT IN THIS DRAWING IS OWNED BY AVO INTERNATIONAL LTD. THIS DRAWING MUST NOT BE COPIED OR REPRODUCED, EITHER IN WHOLE OR IN PART, WITHOUT THE PRIOR WRITTEN CONSENT OF THE COPYRIGHT OWNER.			IF MULTIPLE SHEET DRAWING, ALL SHEETS MUST BE AT THE SAME ISSUE			DO NOT SCALE		IF IN DOUBT ASK!	
	ISSUE	DATE	CN No.	CAD DRAWING, NO MANUAL CHANGES PERMISSIBLE			DRAWN: R. FAGG DATE: 19/01/95			
	1	20/1/95	PGD107	SHT. 1 OF 1 SHTS.						